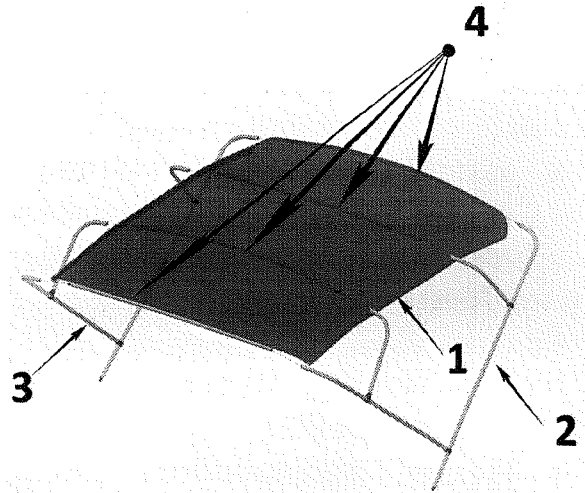


ASSEMBLING INSTRUCTIONS FOLDABLE CANOPY (4 FRAMES)

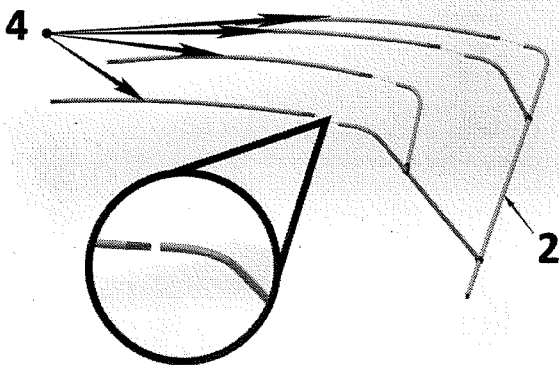
00728

PACKAGE CONTENTS:

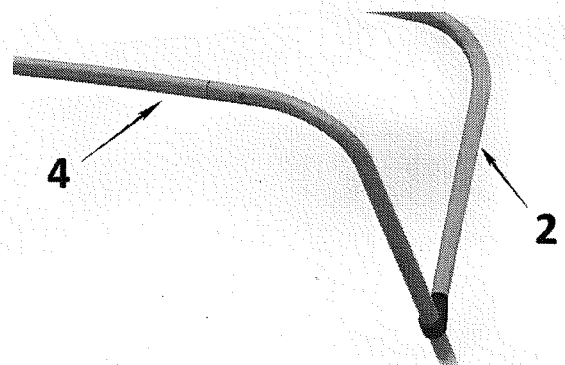
1. 1 x Canopy cloth with integrated cover
2. 1 x Right part of canopy frame
3. 1 x Left part of canopy frame
4. 4 x Horizontal canopy section with connectors
5. 1 x Packaging of canopy accessories, contains:
 - * 4 x retaining strap
 - * 2 x plastic canopy base
 - * 2 x nylon plastic star knob
 - * 4 x inox tie down eye strap
 - * 1 x assembling instruction sheet



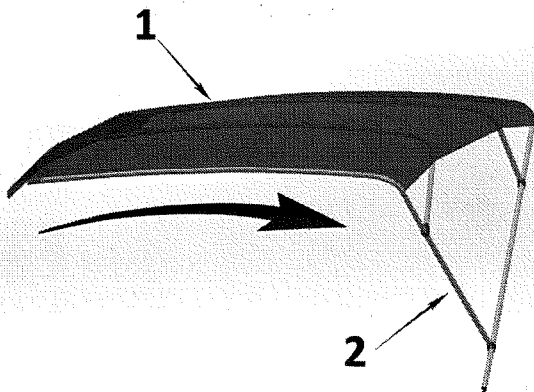
- A.** Join the right frame part (2) to the 4 horizontal parts with connectors (4)



- B.** Press the two parts until you hear the characteristic sound and the metal locking pin emerges from the hole.



- C.** Pass the canopy fabric (1) over the 4 horizontal sections (4), from left to right.



- D.** Join the left frame part (3) to the 4 horizontal parts with connectors (4). Press the two parts together until you hear the characteristic sound and the metal locking pin emerges from the hole.

